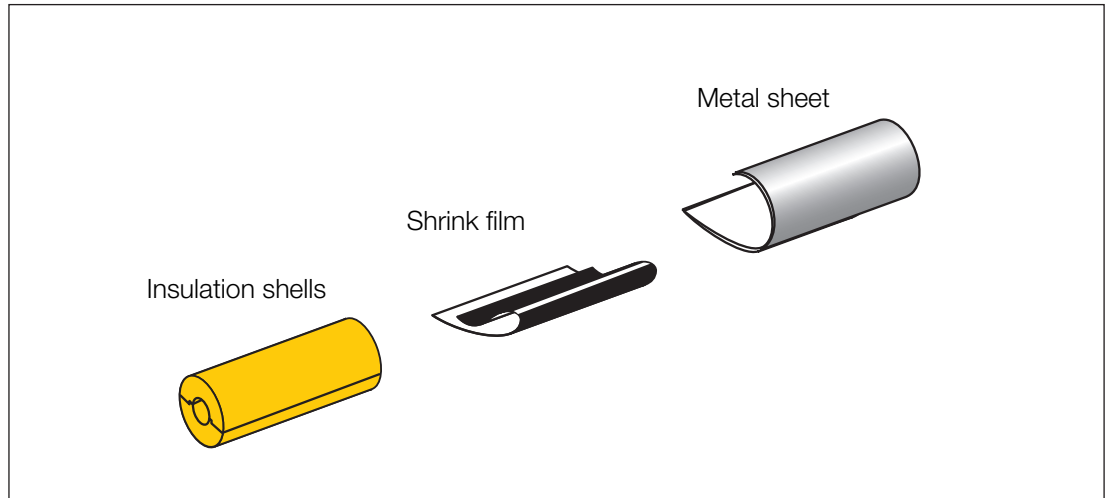


LOGSTOR Spiro Joint Installation Instructions - Industry



Installation instructions for Spiro joint Straight joint, single sealed

General



Note!

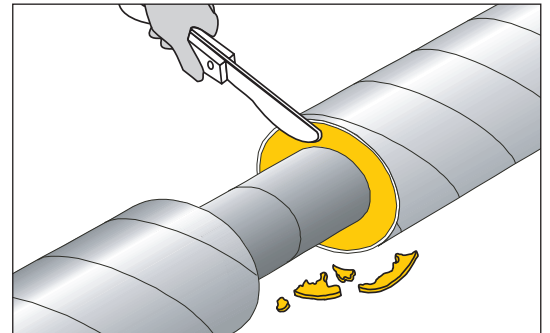
The joint must only be used for freely suspended systems.

The joint is also supplied with mastic for the metal sheet. For more information contact LOGSTOR.

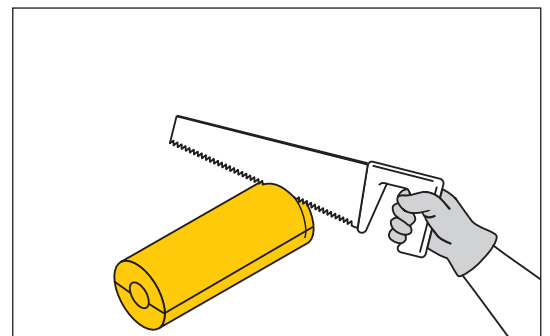
Installation

1. Join the pipes.

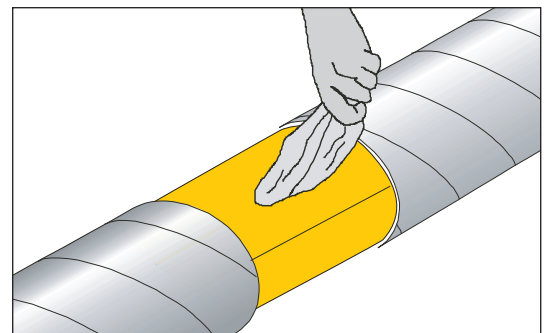
Remove any wet PUR foam from the pipe ends, using a knife.



2. Shorten the insulation shells, so they fit tightly between the Spiro pipes.



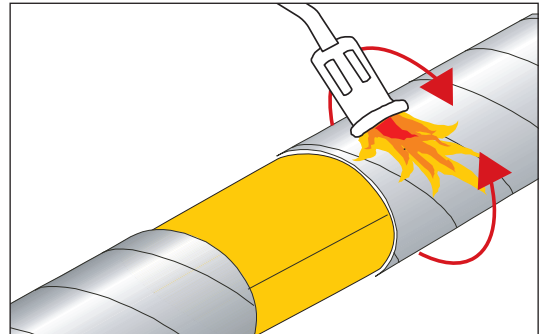
3. Install the insulation shells tightly between the Spiro pipes. Use tape, if necessary. Clean the Spiro pipes with alcohol at least 150 mm inwards from both ends. All surfaces must be CLEAN and DRY.



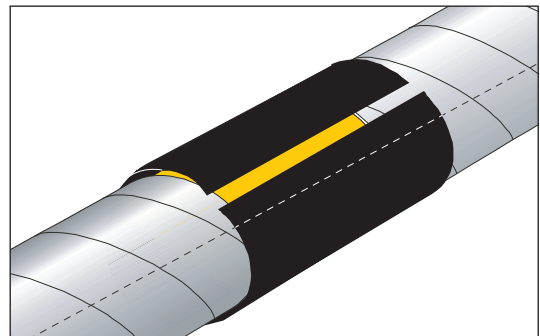
Installation instructions for Spiro joint Straight joint, single sealed

Installation, *continued*

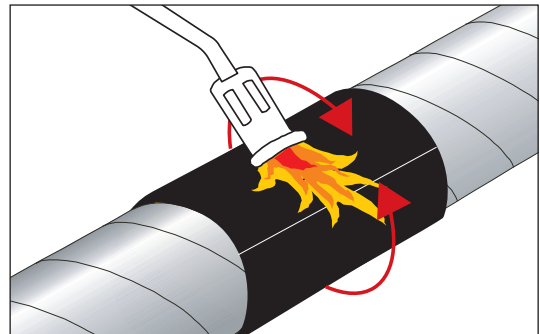
4. Activate the Spiro pipes at least 150 mm outwards from both pipe ends, until all moisture has been removed.



5. Centre the shrink film over the joint around the pipe.
Fix one edge of the shrink film in "10 o'clock position".
Wind the film around the pipe by pulling at the protective foil, so the film adheres to the surface beneath.



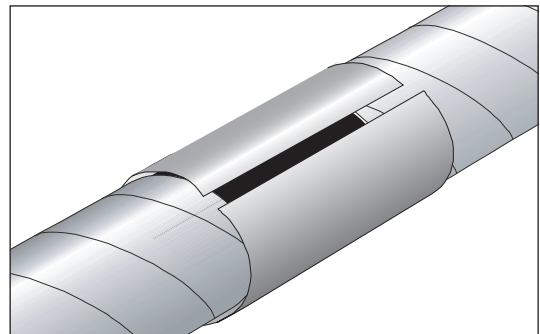
6. Heat the film from the middle towards both sides, so the mastic becomes visible at all edges and the entire shrink effect has been utilised.



7. Install the sheet and fix it to the jacket pipes with 2 closed rivets or self-tapping screws - one in each corner.

NOTE!

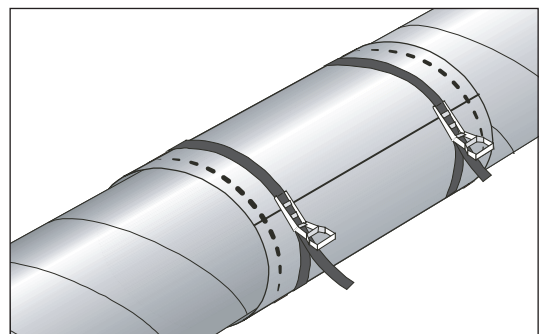
Rivets and self-tapping screws are not included.



8. Place a steel strap or similar approx. 50 mm from each end and tighten it. This is done at the same time at both ends.

NOTE!

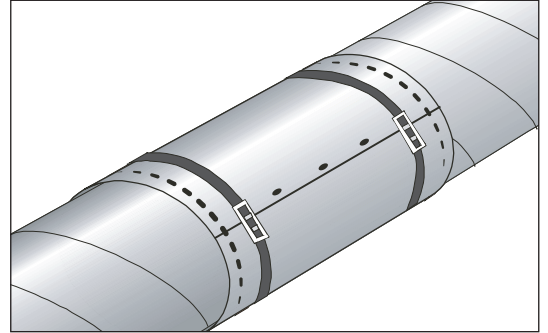
Steel straps are not included.



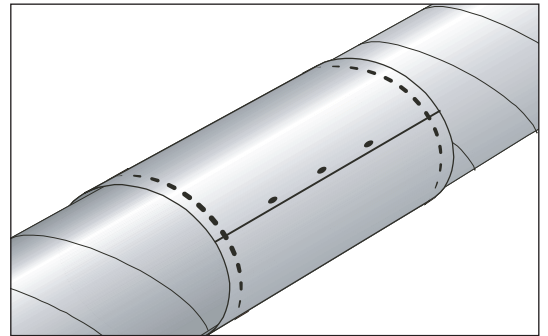
Installation instructions for Spiro joint Straight joint, single sealed

Installation, *continued*

9. Fix the sheet to the Spiro jacket with closed rivets or self-tapping screws for each 5 cm at the ends all around the jacket, and minimum 3 pcs. closed rivets or self-tapping screws in the longitudinal overlap in the middle.



10. The joint is complete.



Contact details

Denmark

LOGSTOR Denmark Holding ApS
Danmarksvej 11 | DK-9670 Løgstør

T: +45 99 66 10 00
E: logstor@kingspan.com



For the product offering in other markets please contact your local sales representative or visit www.logstor.com

Care has been taken to ensure that the contents of this publication are accurate, but Kingspan Limited and its subsidiary companies do not accept responsibility for errors or for information that is found to be misleading. Suggestions for, or description of, the end use or application of products or methods of working are for information only and Kingspan Limited and its subsidiaries accept no liability in respect thereof.

To ensure you are viewing the most recent and accurate product information, please scan the QR code directly above.

